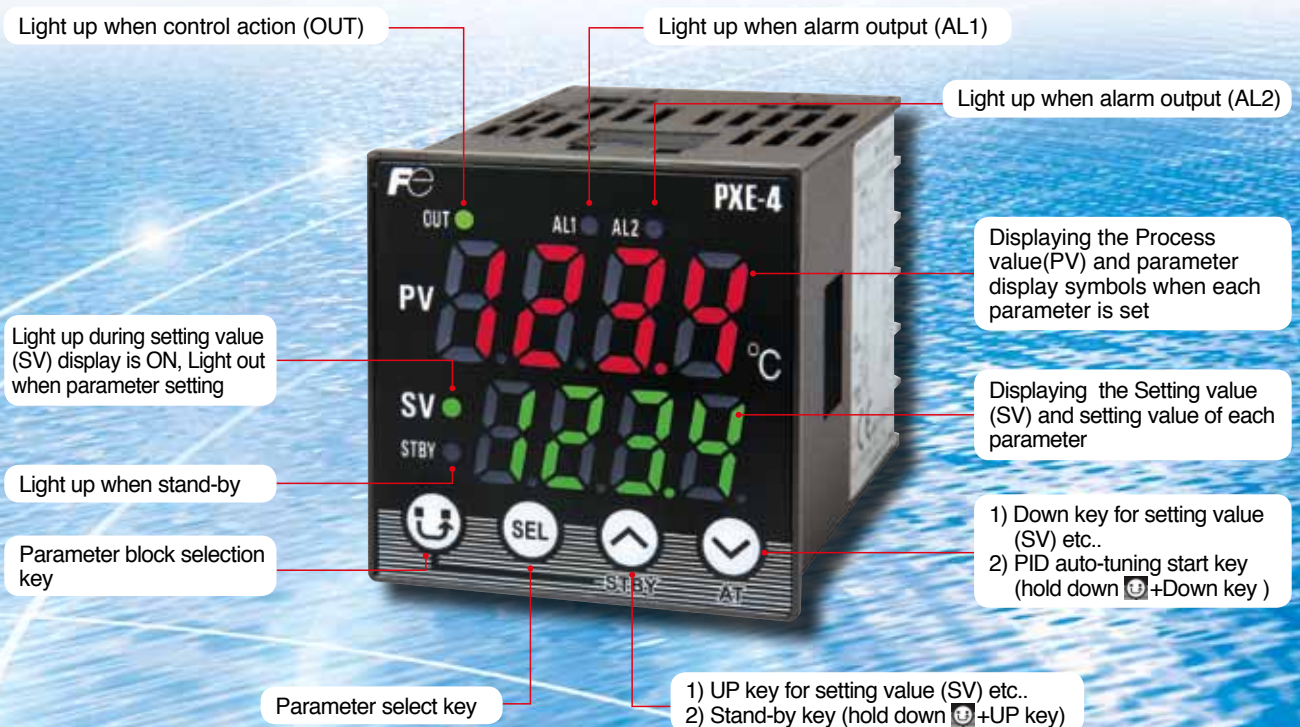


Compact Temperature controller

(size: 48 x 48) Type: PXE

Slim! Easy operation! Compact



- Super slim type. Renewal front design (Depth of front display is 1.6mm. world's thinnest one)
- Short depth dimensions! 62mm
- Programmable setting for type of temperature input/measuring range as standard!
Changeable setting for resistance-bulb (Pt100) , thermocouple (9 types) and measuring range with front key
- Flexible about any controlled objects!
-ON/OFF control , PID control and Fuzzy control (auto-tuning)
-Relay contact output or SSR/SSC drive output (specified by code of symbol)
- Alarm output 1point or up to 2 points are provided (2points is optional)
- Free PC loader software allows you to reconfigure when start-up adjustment or maintenance (under development)
- Front water proof structure (IP66)

Simple and Easy Operation PXE!

Stand-by and soft-start functions are provided

Input signal 1point

Capable of changing over temperature type (resistance-bulb, 9 types of thermocouples) with front key.

Input sampling cycle 200ms



Control output 1point

Relay contact output, SSR/SSC drive output, ON/OFF control and Fuzzy control (with auto-tuning)

Alarm output

1point or 2points (2points is optional)
High, Low and High/Low alarm output (settable absolute value alarm, deviation alarm and zone alarm)

Power supply voltage (100 to 240V AC)

PXE Model Code Configuration

PXE 4 5 6 7 8 9 10 11 12 13 14 E

Digit	Specification
4	<Front dimensions> 48 x 48mm
5	<Input signal> Thermocouple, Resistance bulb Pt100 [°C] Thermocouple, Resistance bulb Pt100 [°F]
6	<Control output 1> Relay contact output SSR/SSC drive output
7	-
8	<Revision code>
9	<Alarm output> Alarm (1 pc.) Alarm (2 pcs.)
10	<Instruction manual> Japanese/English/Chinese

Scope of delivery

Controller1unit watertight packing 1psc
Panel mounting bracket 1set Instruction manual..... 1copy

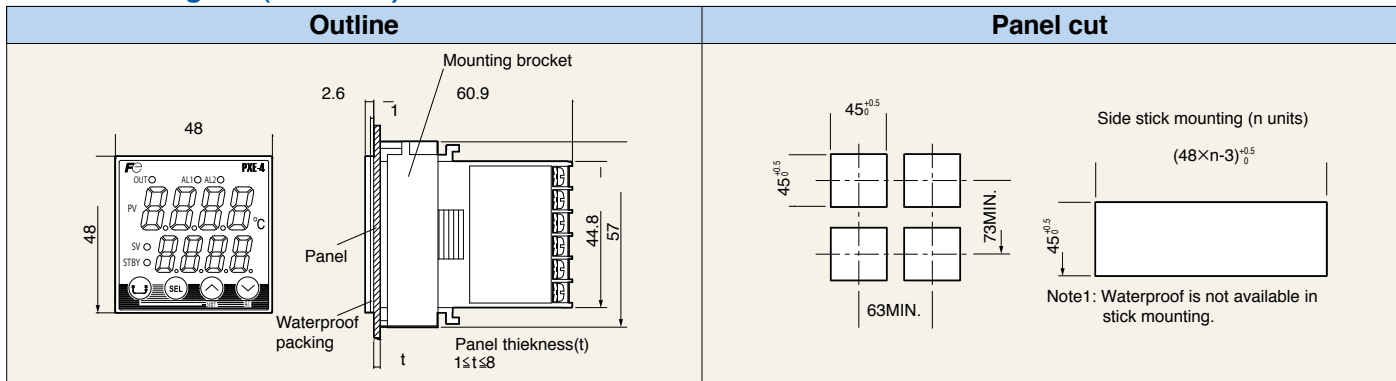
Items to be sold separately

- Terminal cover : Type (ZZPPXR1-A230)
- PC loader communication cable (TQ401838P1) (under development)

Input signal, measurement range, and set value at the time of deliver are as follows.

Thermocouple K, Measurement range; 0 to 400°C, Set value; 0°C
Input signal of the thermocouple and the resistance bulb can be switched by key operation on the front panel.

Outline diagram (Unit: mm)



Specifications

Input signal	Thermocouple: J, K, R, B, S, T, E, N, PLII Resistance bulb: Pt100
Control output	Relay contact: (SPST) or SSR / SSC drive (voltage pulse)
Indication accuracy (at 23°C)	• (±0.5% of process value or 1°C whichever is greater ±1digit±1°C • Thermocouple -100°C or less : (±2% of process value) 1digit±1°C • Accuracy assurance is not ensured within a range from 0 to 500°C for R type thermocouple and from 0 to 400°C for B type thermocouple
Control parameter	Proportional band (P): 0.1 to 999.9% Integral time (I): 0 to 3200 sec (I = 0 I action cut) Differential time (D): 0 to 999.9 sec Control cycle: 200ms
Control action	ON/OFF control, PID control/ Fuzzy control (with PID auto-tuning)
Display section	Process value (PV) display: 7-segment, 4digits (Red LED) Setting value (SV) display: 7-segment, 4digits (Green LED) Status display : 6 indicator lamps
Setting section	Sheet key type (with emboss), 4keys

PC loader communication	PC (USB) ↔ Temperature controller (under development)
Alarm output	Output: 1point or 2 points(option) Relay contact output: SPST contact Alarm kind: Absolute alarm, deviation alarm, zone alarm with upper and lower limits for each, main unit malfunction
Power supply	100V to 240V AC, 50/60 Hz
Power consumption	100V AC: 5VA 220V AC: 6VA
Input impedance	Thermocouple: 1 MΩ or more
Allowable signal source resistance	Resistance bulb: 10Ω or less per wire
Input value correction	±10% of measuring range
Input filter	0 to 120.0 sec (primary lag filter)
Mounting method	Panel flush mounting
External connection terminal	M3 screw terminal
Dimensions	48×48×63.5mm
Weight	Approx. 100 g
Ambient operating temperature	-10°C to 50°C

По вопросам продаж и поддержки обращайтесь:

Архангельск (8182)63-90-72
Астана +7(7172)727-132
Белгород (4722)40-23-64
Брянск (4832)59-03-52
Владивосток (423)249-28-31
Волгоград (844)278-03-48
Вологда (8172)26-41-59
Воронеж (473)204-51-73
Екатеринбург (343)384-55-89
Иваново (4932)77-34-06
Ижевск (3412)26-03-58
Казань (843)206-01-48

Калининград (4012)72-03-81
Калуга (4842)92-23-67
Кемерово (3842)65-04-62
Киров (8332)68-02-04
Краснодар (861)203-40-90
Красноярск (391)204-63-61
Курск (4712)77-13-04
Липецк (4742)52-20-81
Магнитогорск (3519)55-03-13
Москва (495)268-04-70
Мурманск (8152)59-64-93
Набережные Челны (8552)20-53-41

Нижний Новгород (831)429-08-12
Новокузнецк (3843)20-46-81
Новосибирск (383)227-86-73
Орел (4862)44-53-42
Оренбург (3532)37-68-04
Пенза (8412)22-31-16
Пермь (342)205-81-47
Ростов-на-Дону (863)308-18-15
Рязань (4912)46-61-64
Самара (846)206-03-16
Санкт-Петербург (812)309-46-40
Саратов (845)249-38-78

Смоленск (4812)29-41-54
Сочи (862)225-72-31
Ставрополь (8652)20-65-13
Тверь (4822)63-31-35
Томск (3822)98-41-53
Тула (4872)74-02-29
Тюмень (3452)66-21-18
Ульяновск (8422)24-23-59
Уфа (347)229-48-12
Челябинск (351)202-03-61
Череповец (8202)49-02-64
Ярославль (4852)69-52-93