



Electromagnetic Flowmeter Type MAGNETOFLOW™ M1000

Description

The basic line of M1000 is provided with 24 VDC power supply, without display, with passive outputs and can be programmed via a serial port RS232. The device can be factory preconfigured and then just needs to be electrically connected on site. The M1000 is encased into a powder-coated aluminium diecast housing IP65 and has two M 20 screws. The basic line can be provided with a 115/230 VAC power supply and active pulse and analog outputs. The standard model M1000 is supplied with an analog output, two digital outputs for pulse and frequency as well as a digital input. With an accuracy of $\pm 0,5\%$ of actual flow ($>0,5$ m/s) and flow measurements ranging between 0,03 and 12 m/s in both directions, the flow meter covers a great variety of applications.



Measuring principle

The operating principle of the electromagnetic flow meter is based on Faraday's law of magnetic induction: The voltage induced across any conductor, as it moves at right angles through a magnetic field, is proportional to the velocity of that conductor. The voltage induced within the fluid is measured by two diametrically opposed internally mounted electrodes. The induced signal voltage is proportional to the product of the magnetic flux density, the distance between the electrodes and the average flow velocity of the fluid.

Applications

The M1000 has been designed especially for applications in machinery plants, vehicles and batching processes. The applications range from DN 6 to DN 200 with the most various process connections like DIN flanges, dairy pipe connections, TriClamp®, etc.

Technical data

Power supply	24 VDC optional 115 / 230 VAC (50 / 60 Hz), 10 VA
Accuracy	$\pm 0,5\%$ of actual flow, $\geq 0,5$ m/s $\pm 2,5$ mm/s of actual flow, $< 0,5$ m/s
Repeatability	$< 0,1\%$ of full scale
Flow range	0,03 – 12 m/s
Conductivity	min. 5 $\mu\text{S/cm}$
Flow direction	bi-directional
Programming	RS232
Interface	RS232 for measuring values and programming
Analog output	0/4 - 20 mA passive, optional active, flow direction is displayed upon a separate status output
Pulse output	passive, optional active, 2 open collectors, passive 24 VDC, 50 mA, max. 10 kHz
Frequency output	max. 10 kHz (open collector)
Status output	min./max. alarm, preselection, flow direction, error message, free configurable
Empty pipe detection	separate electrode
Low flow cut off	0-10%
Housing	Powder coated aluminium die cast
Protection class	IP65
Cable insertion	2 x M 20
Ambient temperature	-20 up to +60°C

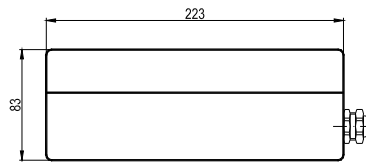
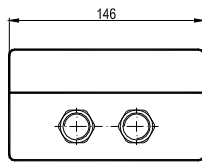
По вопросам продаж и поддержки обращайтесь:

Тел./факс: +7(843)206-01-48 (факс доб.0)

fxu@nt-rt.ru

www.fuji.nt-rt.ru

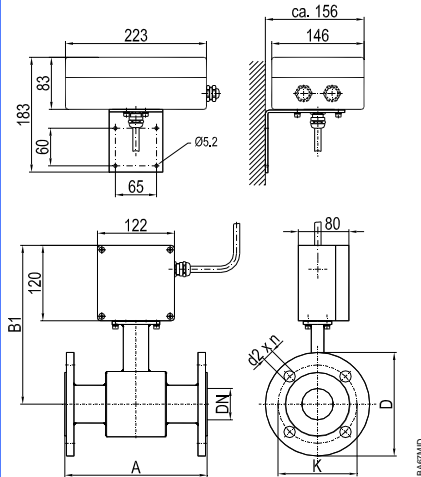
Dimensions



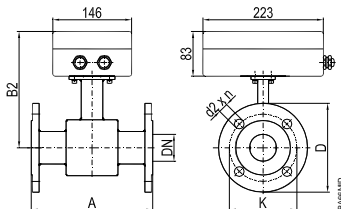
Detector type II

Flange process connection

Remote version



Compact version



The electromagnetic detector type II is not only available in a number of different flange process connections (DIN, ANSI, JIS, AWWA, etc.) but also in a number of liners like hard rubber, soft rubber, PTFE, PFA or Halar. Available in sizes from DN 6 to DN 200 and nominal pressures up to PN 100, the detector type II is best suited for a variety of applications in the industry and the water/waste water industry.

Technical data

Size	DN 6 – 200 (1/4" ... 8")		
Process connections	Flange: DIN, ANSI, JIS, AWWA, etc		
Nominal pressure	up to PN 100		
Protection class	IP65, optional IP68		
Min. conductivity	5 µS/cm (20 µS/cm for demineralized water)		
Liner materials	Hard/soft rubber	DN 25 - 200	0 up to +80°C
	PFA	DN 6 – 10	-40 up to +150°C
	PTFE	DN 15 – 200	-40 up to +150°C
Electrodes materials	Hastelloy C (standard), Tantal Platinum / Gold plated, Platinum / Rhodium		
Housing	Carbon steel / Optional stainless steel		

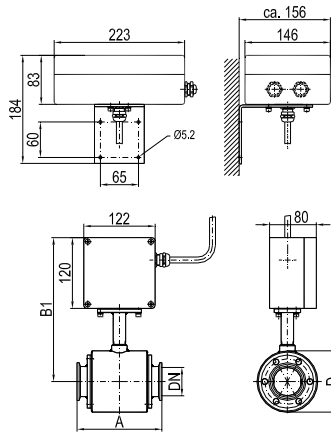
Dimensions (mm)

DN		A*	B1	B2	With ANSI flanges			With DIN flanges		
					∅ D	∅ K	∅ d2xn	∅ D	∅ K	∅ d2xn
6	1/4"	170	228	254	88,9	60,3	15,9 x 4	90	60	14 x 4
8	3/10"	170	228	254	88,9	60,3	15,9 x 4	90	60	14 x 4
10	3/8"	170	228	254	88,9	60,3	15,9 x 4	90	60	14 x 4
15	1/2"	200	238	264	88,9	60,3	15,9 x 4	95	65	14 x 4
20	3/4"	200	238	264	98,4	69,8	15,9 x 4	105	75	14 x 4
25	1"	200	238	264	107,9	79,4	15,9 x 4	115	85	14 x 4
32	1 1/4"	200	253	279	117,5	88,9	15,9 x 4	140	100	18 x 4
40	1 1/2"	200	253	279	127	98,4	15,9 x 4	150	110	18 x 4
50	2"	200	253	279	152,4	120,6	19 x 4	165	125	18 x 4
65	2 1/2"	200	271	297	177,8	139,7	19 x 4	185	145	18 x 4
80	3"	200	271	297	190,5	152,4	19 x 4	200	160	18 x 8
100	4"	250	278	304	228,6	190,5	19 x 8	220	180	18 x 8
125	5"	250	298	324	254	215,9	22,2 x 8	250	210	18 x 8
150	6"	300	310	336	279,4	241,3	22,2 x 8	285	240	22 x 8
200	8"	350	338	364	342,9	298,4	22,2 x 8	340	295	22 x 12
Standard										
With ANSI flanges			DN 6 - 200				Pressure Lbs 150			
With DIN flange			DN 6 – 200				Pressure PN 16			
* ISO 13359 from DN 15 to DN 200										

Sanitary detector for Food

Process connections Tri-Clamp®, DIN 11851, ISO 2852, etc.

TriClamp®, remote version

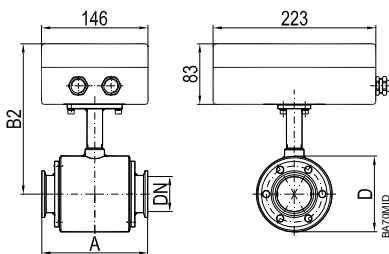


The sanitary detector was developed for the flow measurement of liquid food. This model is available with Tri-Clamp®, DIN 11851, ISO 2852 process connections and also with any special connections (customer specifications). The sanitary detector is delivered in a stainless steel housing and with PTFE lining.

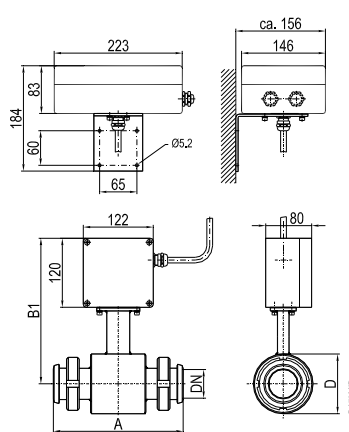
Technical data

Size	DN 10 - 100 (3/8" ... 4")		
Process connections	Tri-Clamp®, DIN 11851, ISO 2852, etc.		
Nominal pressure	PN 10		
Protection class	IP65, optional IP68		
Min. conductivity	5 µS/cm (20 µS/cm for demineralized water)		
Liner materials	PTFE / PFA	-40 up to +150°C	
Electrodes materials	Hastelloy C (Standard) Tantal Platinum / Gold plated Platinum / Rhodium		
Housing	Stainless steel		
Lay length	Tri-Clamp® connection	DN 10 – 50 DN 65 – 100	145 mm 200 mm
	DIN 11851 connection	DN 10 – 20 DN 25 – 50 DN 65 – 100	170 mm 225 mm 280 mm

TriClamp®, compact version



DIN11851, remote version



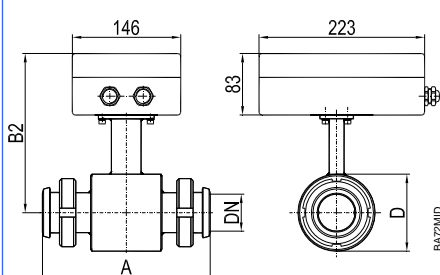
Dimensions (mm) type Food Tri-Clamp®

DN		A	B1	B2	D
10	3/8"	145	228	191	74
15	1/2"	145	228	191	74
20	3/4"	145	228	191	74
25	1"	145	228	191	74
40	1 1/2"	145	238	201	94
50	2"	145	243	206	104
65	2 1/2"	200	256	219	129
80	3"	200	261	224	140
100	4"	200	269	232	156
PN 10					

Dimensions (mm) type Food DIN 11851

DN		A	B1	B2	D
10	3/8"	170	238	201	74
15	1/2"	170	238	201	74
20	3/4"	170	238	201	74
25	1"	225	238	201	74
32	1 1/4"	225	243	206	84
40	1 1/2"	225	248	211	94
50	2"	225	253	216	104
65	2 1/2"	280	266	229	129
80	3"	280	271	234	140
100	4"	280	279	242	156
Pressure PN 10					

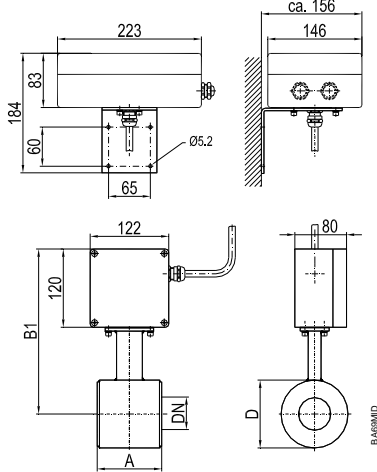
DIN 11851, compact version



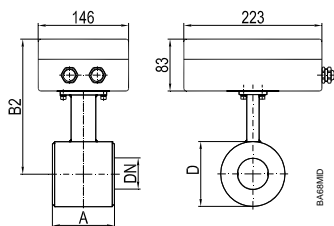
Detector type III

Wafer connection

Remote version



Compact version



Thanks to its very short lay length, the detector type III is often the right alternative to a lot of applications. Delivered with a PTFE liner, the detector type III has a standard nominal pressure of PN 40.

Technical data

Size	DN 25 – 100 (1" ... 4")	
Process connection	Wafer connection (in-between flange mounting)	
Nominal pressure	PN 40	
Protection class	IP65, optional IP68	
Min. conductivity	5 μ S/cm (20 μ S/cm for demineralized water)	
Liner materials	PTFE	-40 up to +150°C
Electrodes materials	Hastelloy C (Standard) Tantal Platinum / Gold plated Platinum / Rhodium	
Housing	Carbon steel / optional stainless steel	
Lay length	DN 25 – 50	100 mm
	DN 65 – 100	150 mm

Dimensions (mm)

DN		A	B1	B2	D
25	1"	100	238	201	74
32	1 ¼"	100	243	206	84
40	1 ½"	100	248	211	94
50	2"	100	253	216	104
65	2 ½"	150	266	229	129
80	3"	150	271	234	140
100	4"	150	279	242	156

Pressure PN 40

По вопросам продаж и поддержки обращайтесь:

Архангельск (8182)63-90-72
Астана +7(7172)727-132
Белгород (4722)40-23-64
Брянск (4832)59-03-52
Владивосток (423)249-28-31
Волгоград (844)278-03-48
Вологда (8172)26-41-59
Воронеж (473)204-51-73
Екатеринбург (343)384-55-89
Иваново (4932)77-34-06
Ижевск (3412)26-03-58
Казань (843)206-01-48

Калининград (4012)72-03-81
Калуга (4842)92-23-67
Кемерово (3842)65-04-62
Киров (8332)68-02-04
Краснодар (861)203-40-90
Красноярск (391)204-63-61
Курск (4712)77-13-04
Липецк (4742)52-20-81
Магнитогорск (3519)55-03-13
Москва (495)268-04-70
Мурманск (8152)59-64-93
Набережные Челны (8552)20-53-41

Нижний Новгород (831)429-08-12
Новокузнецк (3843)20-46-81
Новосибирск (383)227-86-73
Орел (4862)44-53-42
Оренбург (3532)37-68-04
Пенза (8412)22-31-16
Пермь (342)205-81-47
Ростов-на-Дону (863)308-18-15
Рязань (4912)46-61-64
Самара (846)206-03-16
Санкт-Петербург (812)309-46-40
Саратов (845)249-38-78

Смоленск (4812)29-41-54
Сочи (862)225-72-31
Ставрополь (8652)20-65-13
Тверь (4822)63-31-35
Томск (3822)98-41-53
Тула (4872)74-02-29
Тюмень (3452)66-21-18
Ульяновск (8422)24-23-59
Уфа (347)229-48-12
Челябинск (351)202-03-61
Череповец (8202)49-02-64
Ярославль (4852)69-52-93

сайт: www.fuji.nt-rt.ru || эл. почта: fxu@nt-rt.ru