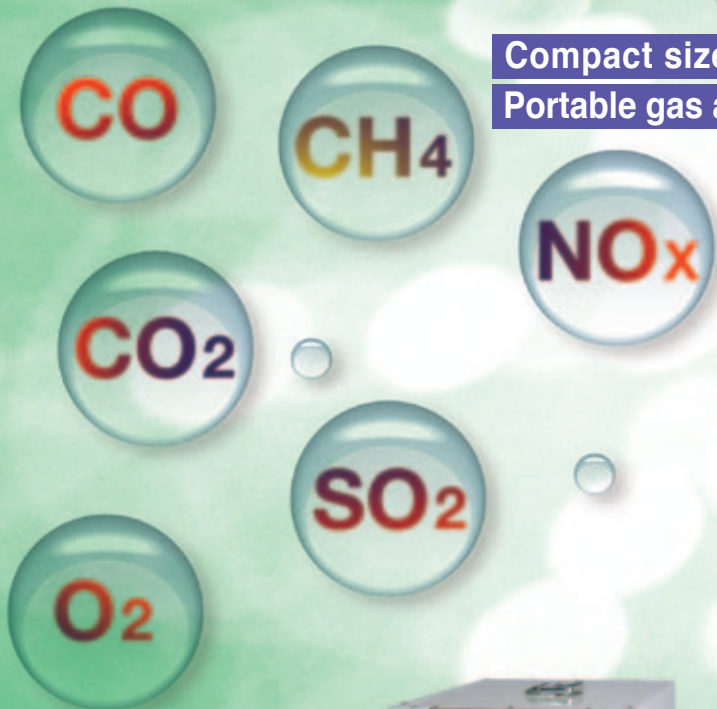


Compact Type Infrared Gas Analyzer [Type:ZSV]

Continuous 5-component measurement
with simple operation

Compact size with excellent functionality and operability
Portable gas analyzer with great mobility



Analyzer unit

Pretreatment unit



For exhaust gas measurement and R&D

- A maximum 5 components out of NO_x, SO₂, CO, CO₂, CH₄, and O₂ can be measured simultaneously.
- The large LCD screen with clear display assures simple operation.
- Single-beam infrared gas analyzer having excellent stability is adopted.
The O₂ sensor is available in 2 types: Paramagnetic type and Zirconia type.
- The separate structure allows the analyzer unit and the pretreatment unit to be placed separately.
- Measurement can be taken continuously for up to 5 days.

Leave the measurement of

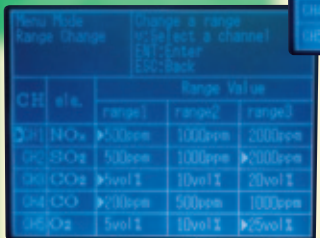
CO, CO₂, CH₄, NO, SO₂, O₂

to us.

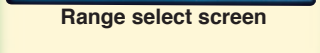


Menu screen

Simple operation assured by clear display



Zero span screen



Range select screen

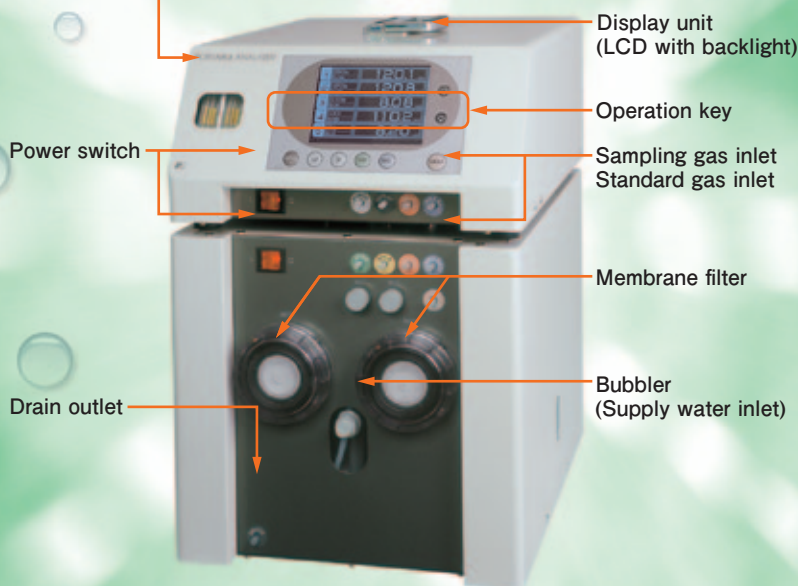
Gas extractor (option)



Simple probe

Probe with primary filter

Flow checker (for checking sample gas flow rate)



Display unit (LCD with backlight)

Operation key

Sampling gas inlet
Standard gas inlet

Membrane filter

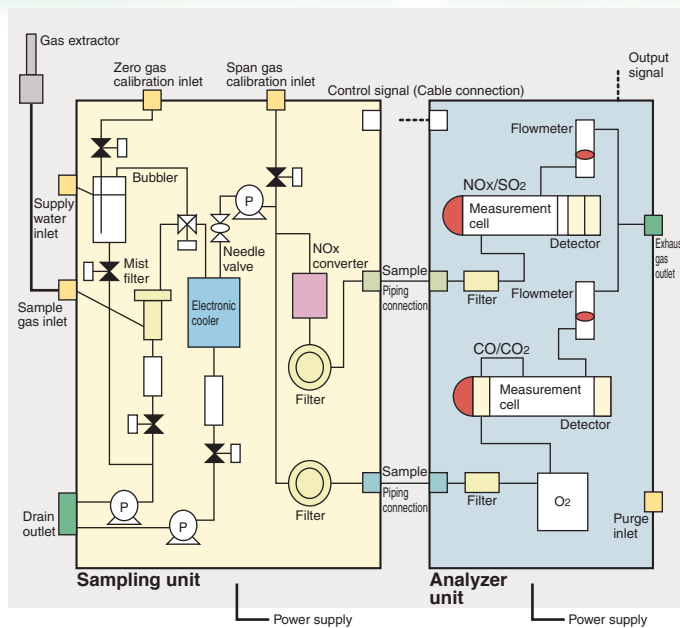
Bubbler (Supply water inlet)

Drain outlet

Specifications

Measured component/measurement range	CO ₂ : 0 to 200ppm...100%
	CO: 0 to 200ppm...100%
Analog output	NO: 0 to 500ppm...5000ppm
	SO ₂ : 0 to 500ppm...1%
Communication function	CH ₄ : 0 to 1000ppm...100%
	O ₂ : 0 to 5% 25%
Repeatability	Maximum range ratio 1:5 Switching between 3 ranges allowed.
	4 to 20mA DC or 0 to 1V DC
Power supply voltage	Concentration of each component, Instantaneous value after O ₂ correction
	One-hour average value after O ₂ correction, Four-hour average value after O ₂ correction
Outside dimensions	RS232C (MODBUS protocol)
	0.5%FS
Weight	100 to 115V AC or 200 to 240V AC, 50/60Hz
	Analyzer unit: 204(H)x365(W)x514(D)mm
Gas extractor (option)	Pretreatment unit: 370(H)x365(W)x514(D)mm
	Analyzer unit: About 12kg, Pretreatment unit: About 18kg
	Simple probe or probe with primary filter

Example configuration



Associated equipment

Paperless recorder for storage of measurement data and analysis



Type	PHF
Number of recording points	3 or 6
Input signal	4 to 20mA DC, 1 to 5V DC, thermocouple, resistance bulb
Storage medium	Compact flash (2GB max.)

По вопросам продаж и поддержки обращайтесь:

Архангельск (8182)63-90-72
Астана +7(7172)727-132
Белгород (4722)40-23-64
Брянск (4832)59-03-52
Владивосток (423)249-28-31
Волгоград (844)278-03-48
Вологда (8172)26-41-59
Воронеж (473)204-51-73
Екатеринбург (343)384-55-89
Иваново (4932)77-34-06
Ижевск (3412)26-03-58
Казань (843)206-01-48

Калининград (4012)72-03-81
Калуга (4842)92-23-67
Кемерово (3842)65-04-62
Киров (8332)68-02-04
Краснодар (861)203-40-90
Красноярск (391)204-63-61
Курск (4712)77-13-04
Липецк (4742)52-20-81
Магнитогорск (3519)55-03-13
Москва (495)268-04-70
Мурманск (8152)59-64-93
Набережные Челны (8552)20-53-41

Нижний Новгород (831)429-08-12
Новокузнецк (3843)20-46-81
Новосибирск (383)227-86-73
Орел (4862)44-53-42
Оренбург (3532)37-68-04
Пенза (8412)22-31-16
Пермь (342)205-81-47
Ростов-на-Дону (863)308-18-15
Рязань (4912)46-61-64
Самара (846)206-03-16
Санкт-Петербург (812)309-46-40
Саратов (845)249-38-78

Смоленск (4812)29-41-54
Сочи (862)225-72-31
Ставрополь (8652)20-65-13
Тверь (4822)63-31-35
Томск (3822)98-41-53
Тула (4872)74-02-29
Тюмень (3452)66-21-18
Ульяновск (8422)24-23-59
Уфа (347)229-48-12
Челябинск (351)202-03-61
Череповец (8202)49-02-64
Ярославль (4852)69-52-93